

# INSTRUCTION/INSTALLATION SHEET

## ALC Quad Auxiliary Switch

1154 Jordan Road  
Lyman, SC 29365  
Phone (864) 663-0013 Fax (864) 663-0018  
www.genesis13lighting.com

### IS-0286 REV. A

### 1. INTRODUCTION

The Genesis Quad Auxiliary Switch, part no. 364721, incorporates the same functionality as four part no. 363145 ALC Auxiliary Switches. The Quad Auxiliary Switch is most commonly employed in “clustered” or “centralized” lighting control installation applications. In these types of applications, ALC master controls are located in a closet or some otherwise centralized location so, for increased aesthetics, gangs of lighting controls can be removed from the living areas of the home. Each Quad Auxiliary Switch provides local multi-way control of up to four lighting circuits. Each Quad Auxiliary Switch may be connected to up to four ALC Dimmers, Non-Dimmers and/or Relay Switches using Cat5 cable. Each Quad Auxiliary Switch includes gold, printed descriptive labels to enable installers to identify control functions or lighting locations.

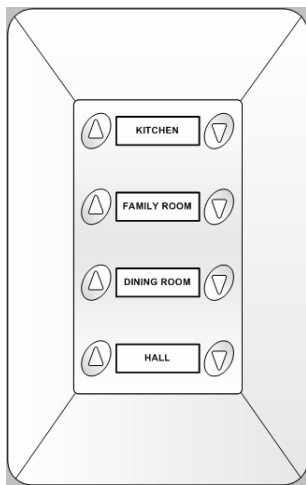


Figure 1

### 2. INSTALLATION

The Quad Auxiliary Switch can be mounted in any single gang wall box or low voltage bracket. Two Cat5 cables should be installed between the location of the ALC Hub and the location of each Quad Auxiliary Switch (see Figure 3).

#### Installation Procedure

Step 1: Punch down the Cat5 cable conductors to 110 IDC connectors on the back of the Quad Aux Switch. Figure 3 shows a typical wiring scenario.

Step 2: Label the Quad Auxiliary Switch buttons. Remove the clear lenses by inserting a small tool, such as a paper clip, into the holes in the circuit board on the back of the switch. Refer to Figure 2. After the lenses have been removed, apply any of the provided descriptive labels.

Step 3: Place the switch and wires in the wall box.

Step 4: With the cover plate removed, fasten the switch into the wallbox with the screws provided.

Step 5: Snap on the included cover plate to complete the installation.

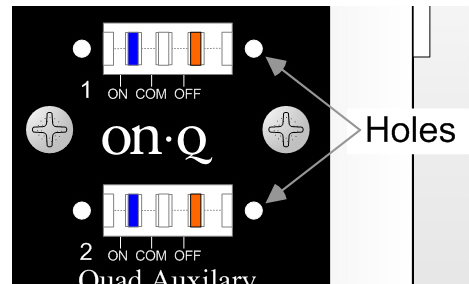


Figure 2

### 3. NORMAL OPERATING MODE

#### Remote Dimmer Switch Operation

- From the lighting Off setting, tap the Up Button to set the lighting load to the Preset Dim Level.
- From the lighting Off setting, double tap the Up Button to set the lighting load to the full On level.
- From any intermediate lighting setting, tap the Up Button to set the lighting load to full On.
- From the Off or any intermediate lighting setting, press the Up Button to set the lighting load to a brighter level. The new lighting level will be stored in memory as the Preset Dim level.
- From the full On or any intermediate lighting setting, press the Down Button to set the lighting load to a dimmed level. The new lighting level will be stored in memory as the Preset Dim Level.
- From the full On or any intermediate lighting setting, tap the Down Button to turn the lighting load Off.
- From the full On or any intermediate lighting setting, double tap the Down Button to dim the lighting load to Off at an extended rate.

#### Remote Non-Dimming and Relay Switch Operation

- From the lighting Off setting, tap the Up Button to set the lighting load to the On setting.
- From the On lighting setting, tap the Down Button to turn the lighting load Off.

### 4. Warranty

Stewart Electronics warrants to the end-user, each new switch to be free of defects in materials or workmanship for a period of one year from the date of original purchase from Stewart Electronics or its authorized reseller or installer. Each product is deemed warrantable under conditions of normal use and when installed and operated within Stewart Electronics specifications and in accordance with the applicable National Electrical Code and Safety Standards of Underwriters Laboratories. When determined to be warrantable, Stewart Electronics shall at its option and expense, replace any defective product with a new or reconditioned product. Stewart Electronics will continue to warrant any replaced product for a period of ninety (90) days from shipment, or through the end of the original warranty period, whichever is longer.

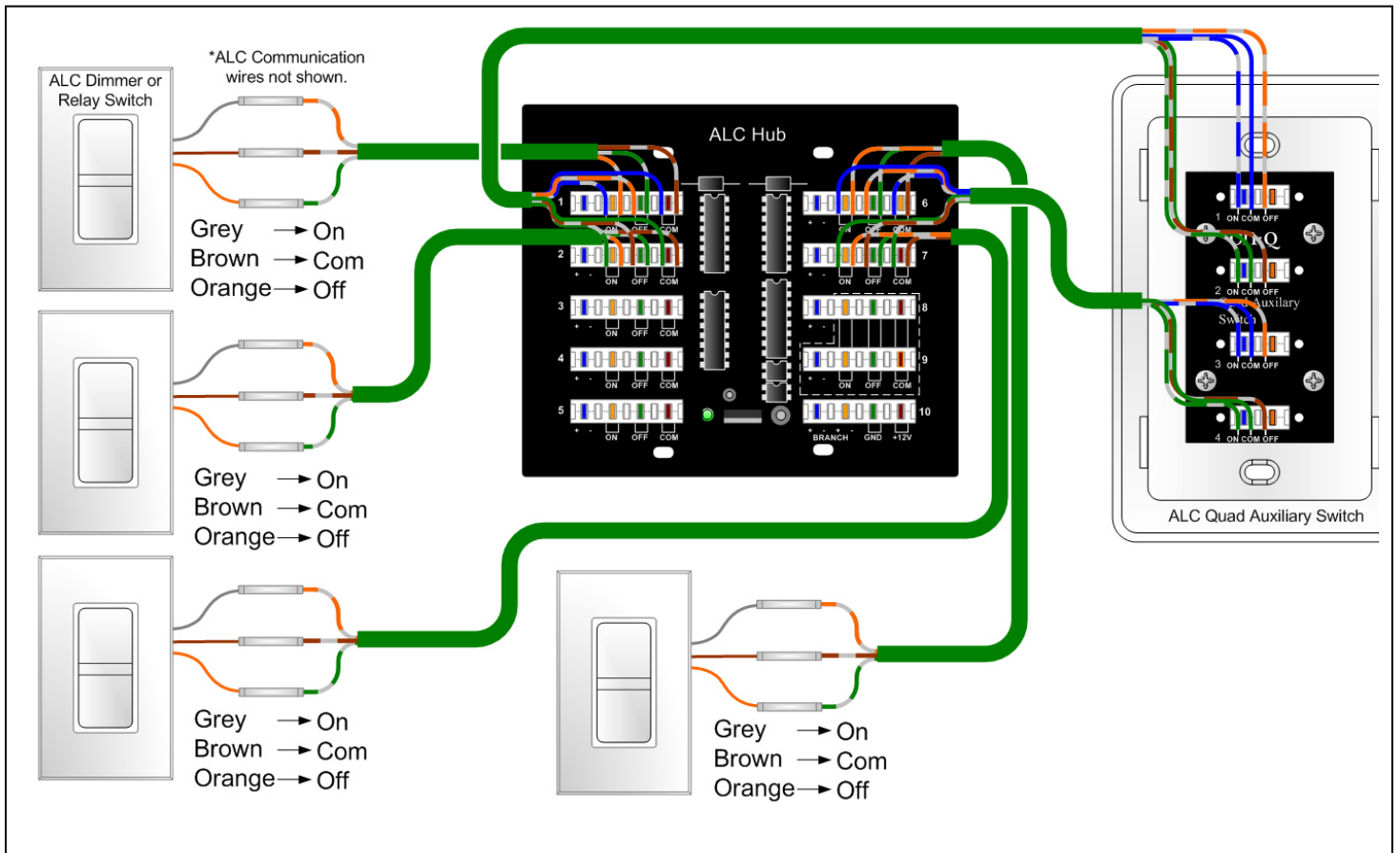


Figure 3